



# LCU-2S

## Liquid Supply System

### User Manual



English



# **LCU-2S**

LIQUID SUPPLY UNIT

## **User Manual**

### **Safety Information**



Please read the following safety information carefully before operating the machine. This information includes important safeguards about installation, usage, and maintenance. Pay attention to all warning labels and instructions in this manual and printed on the machine.

If you have questions about how to operate the machine safely, please contact your local Antari dealer for help.

- Keep this device dry.
- Always connect to a grounded circuit to avoid risk of electrocution.
- Before connecting machine to power, always check voltage indicate on machine match to your local AC voltage. Do not use the machine if AC power voltage does not match.
- Disconnect the machine from AC power before servicing and when not in use.
- This product is for indoor use only! Do not expose to rain or moisture. If fluid is spilled, disconnect AC power and clean with a damp cloth. If fluid is spilled onto electronic parts, immediately unplug the machine and contact your local Antari dealer for advice.
- No user serviceable and modifiable parts inside. Never try to repair this product, an unauthorized technician may cause damage or malfunction to the machine.
- For adult use only. Never leave the machine running unattended.
- Never add flammable liquid of any kind to the machine.
- Make sure there are no flammable materials close to the machine while operating.
- Only use Antari fluid. Other fluid may lead to machine malfunction.
- If the machine fails to work, unplug the machine and stop operation immediately. Contact your local Antari dealer for advise.
- Before transporting the machine, make sure the fluid tank is completely drained.
- Fog/Snow fluid may present health risks if swallowed. Do not drink fog fluid. Store it securely. In case of eye contact or if fluid is swallowed, immediately look for medical advice.

## Unpacking and Inspection

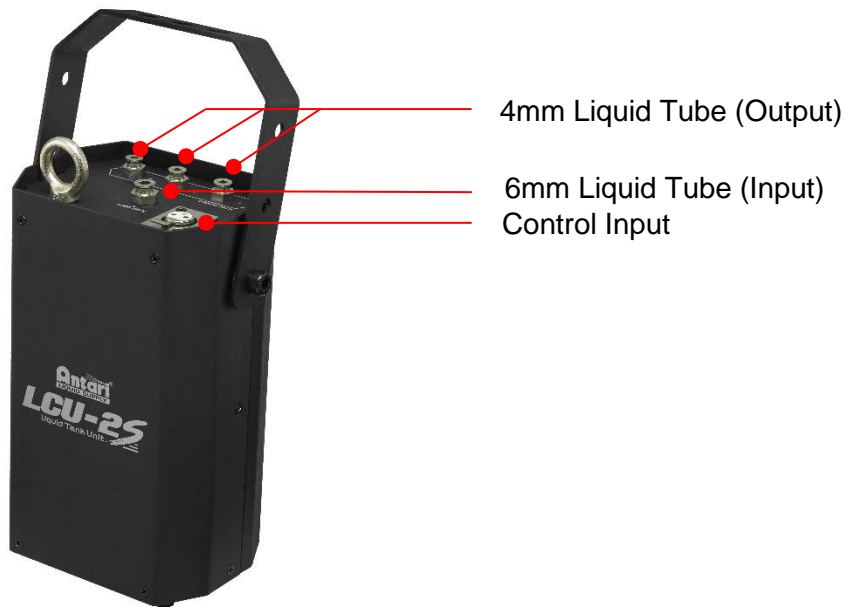
Immediately upon receiving the machine, carefully unpack the carton, check the content to ensure that all parts are present and have been received in good condition. If any parts appear damaged or mishandled from shipping, notify the shipper immediately and retain the packing material for inspection.

<b>What is included:</b>	1 x LCU-2S Liquid Supply Unit
	1 x LCU-2S Liquid Tank Unit
	1 x Power Cord
	1 x 3 Pin Data Connection Cable
	1 x 6mm Fluid Tube
	1 x 4mm Fluid Tube
	3 x 4 to 4mm adaptor
	3 x 6 to 4mm adaptor
	1 x Fluid Filter
	1 x User Manual

## Product Dimensions



## Product Overview

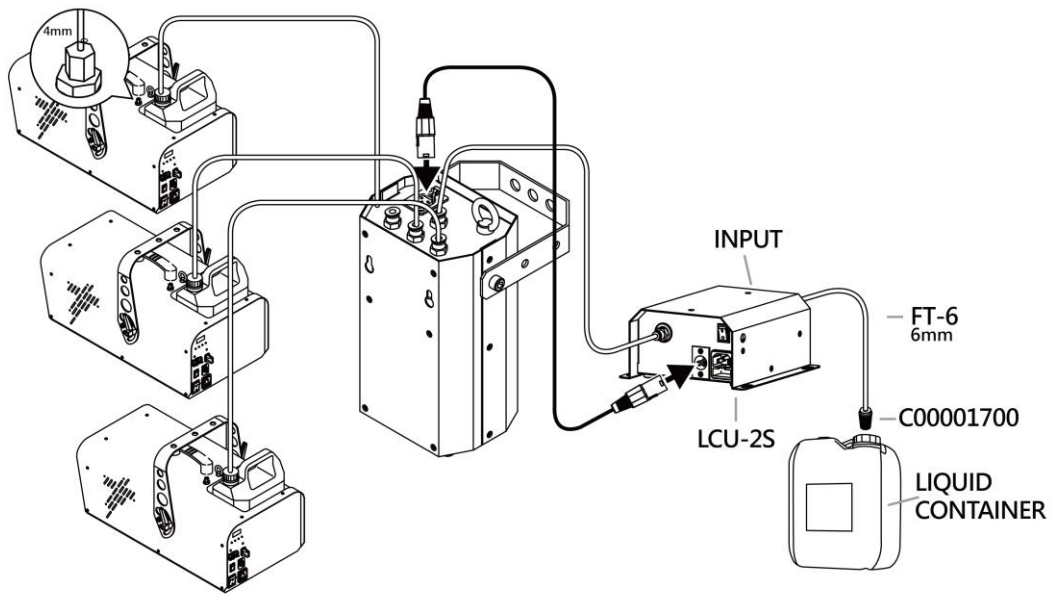


## Setup and Installation

### Fluid Connection

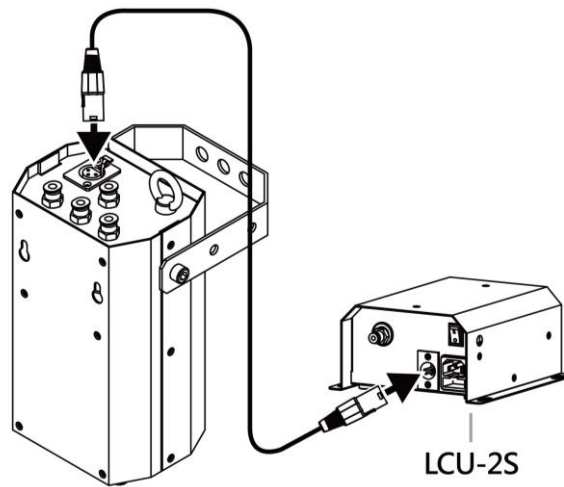
Use supplied 6mm tube for external tank and connection between supply unit and tank unit. Fit supplied fluid filter to the tube place in external tank to prevent obstacle entering the fluid line. From tank to machine use supplied 4mm tube and adaptor if extension is required.

**Important – Do not exceed 3 M/9.8 ft when use extension tubing from tank to machine.**



## Data Connection

For data connection 3-pin connector is used. Connect the output of control unit with input of tank unit.



## Service and Maintenance

- Do not allow the machine to become contaminated.
- Only use a damp cloth to clean the casing.
- It is recommended to run the machine on a monthly basis in order to achieve best performance and output condition.

## Fuse Replacement



Disconnect AC power before replacing fuse. Only replace fuse with same type and rating.

Step 1: Disconnect power cord from supply.

Step 2: Use a flat-head screwdriver to release fuse holder.

Step 3: Replace fuse with exact same type and rating as indicated below.

Step 4: Reinsert fuse holder.

### Fuse

120V = T2A 250V

230V = T1A 250V

## Technical Specifications

- Input voltage	AC 100-120V, 50 / 60Hz 0.35A AC 220-240V, 50 / 60Hz 0.18A
- Rated power	48W
- Compatible fluid	Antari Fluid
- Ambient temp. range	5 °C - 40 °C (41 °F-104 °F)
- Control	Auto
- Connection	IEC (Power) XLR 3-pin (Data)
- Dimension	Supply unit L179 W167 H84 mm (L7.05 W6.57 H3.31 inch) Tank unit L158 W103 H248 mm (L6.22 W4.06 H9.76 inch)
- Weight	Supply unit 1.95 kg (4.30 lbs) Tank unit 1.8 kg (3.97 lbs)



For current product information visit Antari at: [www.antari.com](http://www.antari.com)  
For information requests please contact us at: [sales@antari.com](mailto:sales@antari.com)



C08LCU2S1

[www.antari.com](http://www.antari.com)